



Handwerker Marktredwitz

Produktkatalog Sonnenschutzrollos



01717475593

info@handwerker-marktredwitz.de

www.handwerker-marktredwitz.de



BASIC

A universal and very budget-friendly system. Requires some work to install. The universal fit is ensured by the adjustment of the top rail clamps and the guide rail clamps. This solution makes installation feasible in most homes, both those under renovation and new builds, and both as adaptation blinds and built-in (concealed) blinds. The system's design can accommodate clamp-mounted guide rails and guide rails attached directly to the windows.

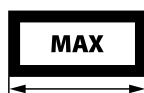
SPECIFICATIONS



Box shape:
Front fascia



Fascia size:
200 x 140 mm
240 x 140 mm
300 x 140 mm
350 x 140 mm



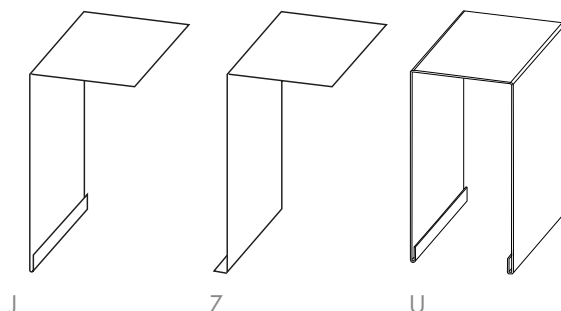
Box max. width:
5000 mm



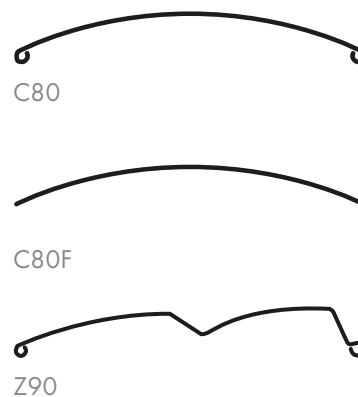
Box min. width:
500 mm

- Guide rails: aluminium,
- Angle pieces: top rail clamps,
- Weather-resistant.

Front fascia shape:



Slat shape:



Blind overall height (w/box) [mm]

Basic		C80F		C80		Z90	
		Powered	Handoperated	Powered	Handoperated	Powered	Handoperated
Access recess	200	2250	2750	1250	1500	1750	2000
	240	3750	4000	2000	2250	2500	2750
	300	5000	5000	3250	3500	3500	3750
	350	5000	5000	4250	4500	4500	4750



RAFF-I

A modern system with an aluminum box - lintel, available in a visible version and in a flush-mounted version. The simplicity of performance and the characteristic bend on the outer wall of the box create an interesting alternative to other systems. There are special pins protruding from the box, which just need to be inserted into the previously installed guides, thanks to which the assembly of the entire system is simple and very quick.

SPECIFICATION



Box shape:
rectangular ALU



Box size:
200 x 140 mm
240 x 140 mm
300 x 140 mm



Box max. width:
4500 mm



Box min. width:
550 mm

- inspection flap on the outside of the window
- aluminum guides
- easy assembly
- the possibility of offsetting the box to the window frame and thermal insulation of the space between the box and the lintel,
- suitable lathing in case of a flush-mounted box are available in two dimensions: 25 mm and 50 mm.

Slat shape:



C80

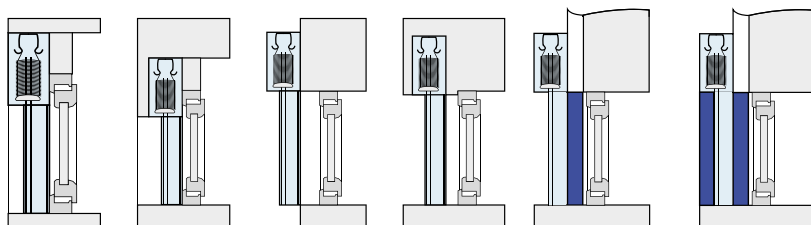


C80F



Z90

Installation options:



Blind overall height (w/box) [mm]

RAFF-i		C80F		C80		Z90	
		Powered	Handoperated	Powered	Handoperated	Powered	Handoperated
Access recess	200	2250	2750	1250	1500	1750	2000
	240	3750	4000	2000	2250	2500	2750
	300	5000	5000	3250	3500	3500	3750



RAFF-E

The RAFF-E system from ALUKON is a next-generation solution based on extensive engineering know how. This makes the blinds easy to size and quick to install. The system is as easy to use as hand-operated external roller shutters, but its features are simply better.

SPECIFICATIONS



Box shape:
rectangular ALU



Box size:
200 x 140 mm
240 x 140 mm
300 x 140 mm



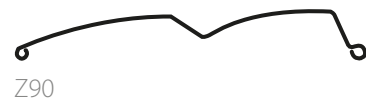
Box max. width:
4000 mm



Box min. width:
550 mm

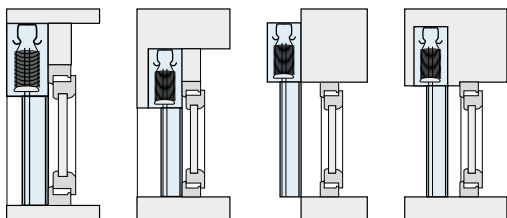
- Access hatch: on the window external surface,
- Guide rails: aluminium,
- Weather-resistant,
- Roller insect screen: optionally integrated.

Slat shape:



The box can be offset from the window frame to thermally insulate the cavity between the box and the lintel.

Installation options:



Blind overall height (w/box) [mm]

RAFF-E		C80F		C80		Z90	
		Powered	Handoperated	Powered	Handoperated	Powered	Handoperated
Access recess	200	2250	2750	1250	1500	1750	2000
	240	3750	4000	2000	2250	2500	2750
	300	5000	5000	3250	3500	3500	3750



SKEF

This roller shutter system features a unique box with a 45-degree slope on the outside. This is a perfect choice for those who prefer a bold finish with sharp lines. These roller shutters are intended for direct wall mounting or, with a universal adapter, within the window recesses.

SPECIFICATIONS



Box shape:
Sloped ALU



Box size:
180 x 180 mm
205 x 205 mm



Box max. width:
5000 mm



Box min. width:
500 mm

- Access hatch: 1, on the window outside,
- Guide rails: aluminium,
- Weather-resistant,
- Roller insect screen: optional accessory, installed on the curtain inner side.

Slat shape:



C80



C80F

Blind overall height (w/box) [mm]

SKEF		C80F		C80		Z90
		Powered	Handoperated	Powered	Handoperated	Not available
Access recess	175	1000	1700	820	1050	
	200	1750	2750	1250	1500	



ELITE XT

A very convenient and energy efficient roller shutter system that improves the thermal and sound insulation levels, especially when winter heating is considered. For added convenience are the options of installing a roller insect screen and the use of Type C façade blind inserts.

SPECIFICATIONS



Box shape:
Square PVC



Box size:
240 x 255 mm



Box max. width:
5000 mm



Box min. width:
500 mm

- Guide rails: aluminium or PVC,
- Fastening bolts,
- Weather-resistant,
- Sound-proof (liner in the box),
- Thermal insulation (liner in the box).

Slat shape:



C80



C80F

Grey roller insect screens are available for installation on the inside of the roller shutter curtain. The installation kit comprises double guide rails with brush seals for the curtain and the insect screen. The roller insect screen bottom bar features a brush seal. When rolled up, the roller insect screen is concealed within the box. The width and height of the integrated roller insect screen is restricted.

A special reinforcement bar is supplied for windows of widths over 1,500 mm.

Blind overall height (w/box) [mm]

Elite XT		C80F		C80		Z90
		Powered	Handoperated	Powered	Handoperated	Not available
Access recess	230	3500	3750	1750	2000	
+“5418”	270	4500	4750	2500	2750	



CLEVER BOX

This system boasts the best thermal and sound insulation performance in the product range, due to its unique design and the superior quality of the components. It is the only top-mounted roller shutter system compatible with façade blinds for full blocking of outdoor light. The system ensures great levels of comfort, both in the summer and winter.

SPECIFICATIONS



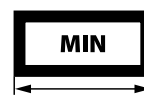
Box shape:
Square PVC



Box size:
245 x 255 mm



Box max. width:
5000 mm



Box min. width:
500 mm

- Guide rails: aluminium,
- Installation anchor bolts,
- Weather-resistant,
- Sound-proof (liner in the box),
- Thermal insulation (liner in the box),
- Roller insect screen: optional.

Slat shape:



C80

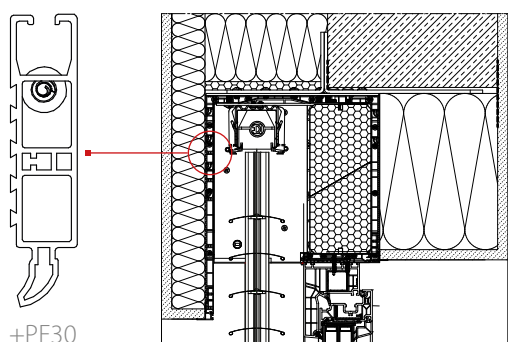


C80F



Z90

The width and height of the integrated roller insect screen is restricted.



Blind overall height (w/box) [mm]

Clever Box		C80F		C80		Z90	
		Powered	Handoperated	Powered	Handoperated	Powered	Handoperated
Access recess	227	3500	3750	1750	2000	2250	2500
+PF30	267	4500	4750	2500	2750	3000	3250
+2xPF30	307	5000	5000	3250	3500	3750	4000



ROKA TOP 2 SHADOW

The combination of a Neopor®/Styropor® thermal insulator with tightly-fitting structural joints provides excellent protection against sunlight, wind and moisture. The additional bracing, including stiffening consoles embedded in the foam, window braces and revised and innovative fasteners, ensures a structure that remains permanently attached to the window and wall. It can be perfectly harmonized with any type of wall finish (render, WDVS, or clinker brick).

SPECIFICATIONS



Box shape:
 Square
 Neopor®
 Styropor®



Box size:
 300 x 280 mm
 300 x 300 mm
 300 x 365 mm



Box max. width:
 5000 mm



Box min. width:
 500 mm

- Guide rails: aluminium,
- Installation anchor bolts,
- Weather-resistant,
- Sound-proof (liner in the box),
- Thermal insulation (liner in the box).

Slat shape:



C80



C80F



Z90

Blind overall height (w/box) [mm]

RokaTop 2 Shadow		C80F		C80		Z90	
		Powered	Handoperated	Powered	Handoperated	Powered	Handoperated
Access recess	265	4500	4750	2500	2750	3000	3250



SKB

The system was created primary to improve energy balance of a building. The main element of a system is a box which is made of a high-quality insulated material – Styroterm, having very good thermal properties.

SPECIFICATIONS



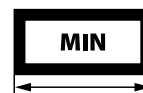
Box shape:
Square



Box size:
260 x 263,6 mm
305 x 310,6 mm



Box max. width:
6000 mm



Box min. width:
580 mm

- Box for total build-up,
- Thermal insulation (in the box),
- Acoustic insulation (in the box),
- Choice of revision from the inside or outside,
- Possibility to install a mosquito net.

Slat shape:



C80



C80F

The assembly of the box is extremely simple, because it consists of directly placing it on a window frame using a suitably selected adaptive profile (by clicking or sliding in). Roller shutters are perfect for mounting on PVC, wood and aluminium windows.

Blind overall height (w/box) [mm]

SKB		C80F		C80		Z90
		Powered	Handoperated	Powered	Handoperated	
Access recess	216	2750	3000	1500	1750	Not available
	257	4000	4250	2250	2500	





ACCESSORIES



Telis 1 ModVar
RTS Pure



Telis Mod/Var
Soliris RTS Pure



Telis Mod/Var
Soliris RTS Silver



Telis Mod/Var
Soliris RTS Lounge



Telis 4 ModVar
RTS Pure



Telis 4 ModVar
RTS Lounge



Telis 16 RTS Pure



Telis 6 Chronis
RTS Pure



Situ mobile io
VB Pure



Situ 5
Variation io



NINA io



Wall transmitter
Smooove Origin RTS



Connexoon



Connexoon Window RTS



TaHoma Premium



Eolis RTS



Kit Soliris RTS



Sunis WireFree io

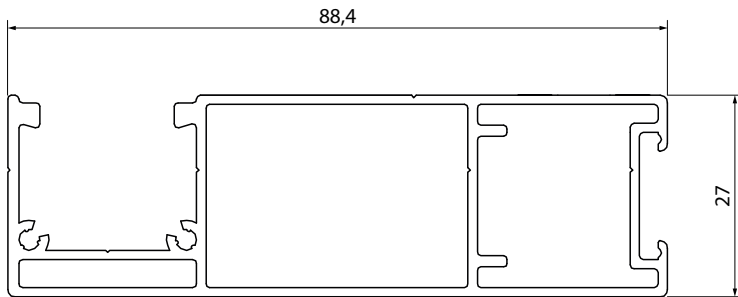


Eolis WireFree io



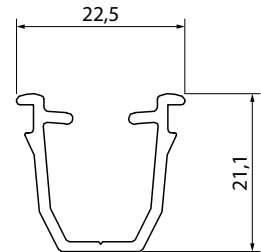


RAILS



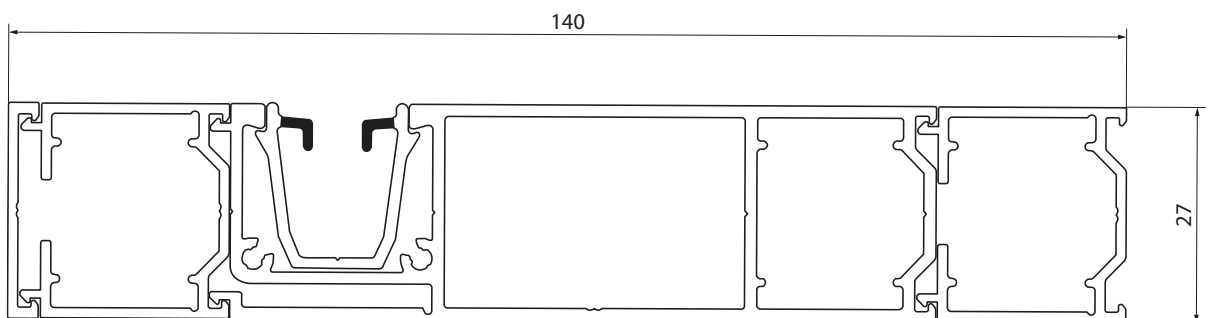
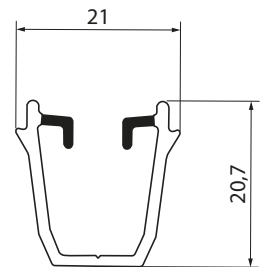
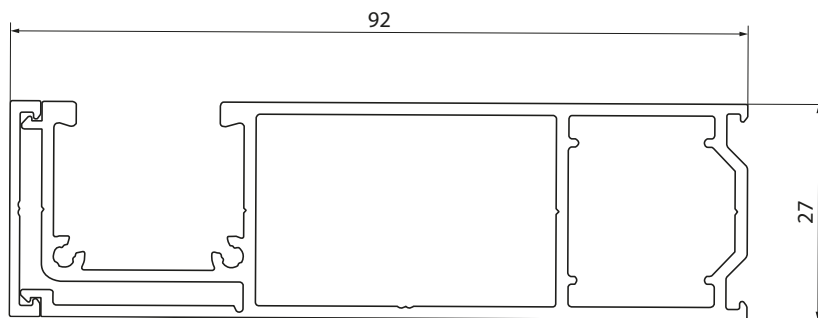
A45

- RAFF-E
- Basic
- Roka Top 2 Shadow
- RAFF-i



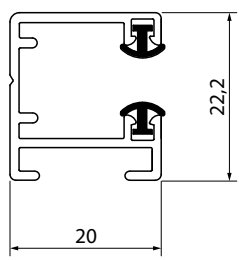
A40

- RAFF-E
- Basic
- Roka Top 2 Shadow



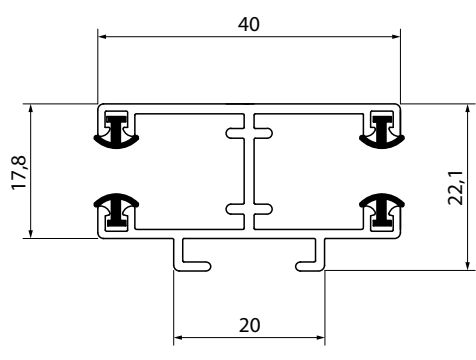
RAIL MONOBLOK EKO-OKNA

- RAFF-E
- Basic
- Roka Top 2 Shadow
- RAFF-i



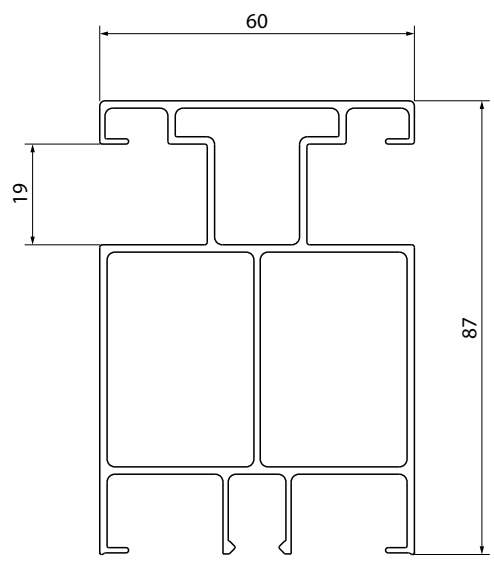
Typ 2

- Basic
- Roka Top 2 Shadow
- Clever Box



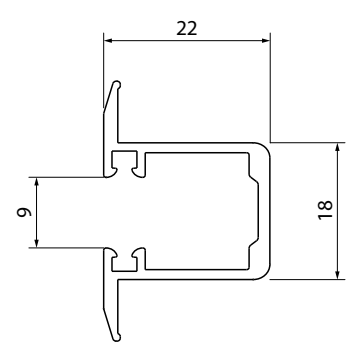
Typ 4

- Basic
- Roka Top 2 Shadow
- Clever Box



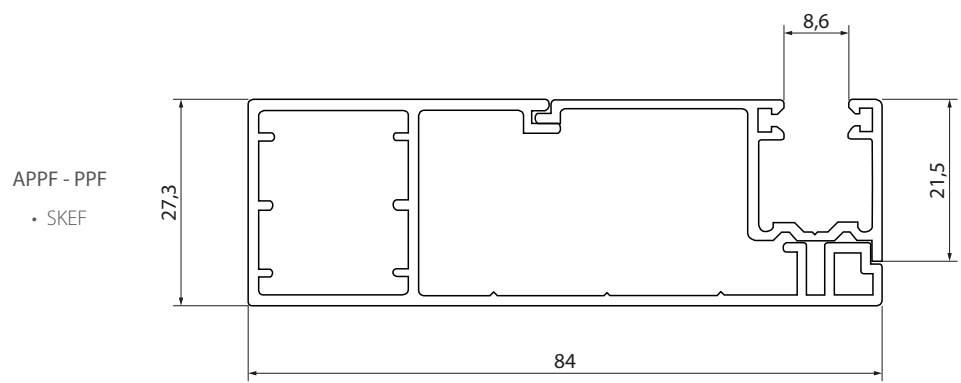
PG 10

- Clever Box

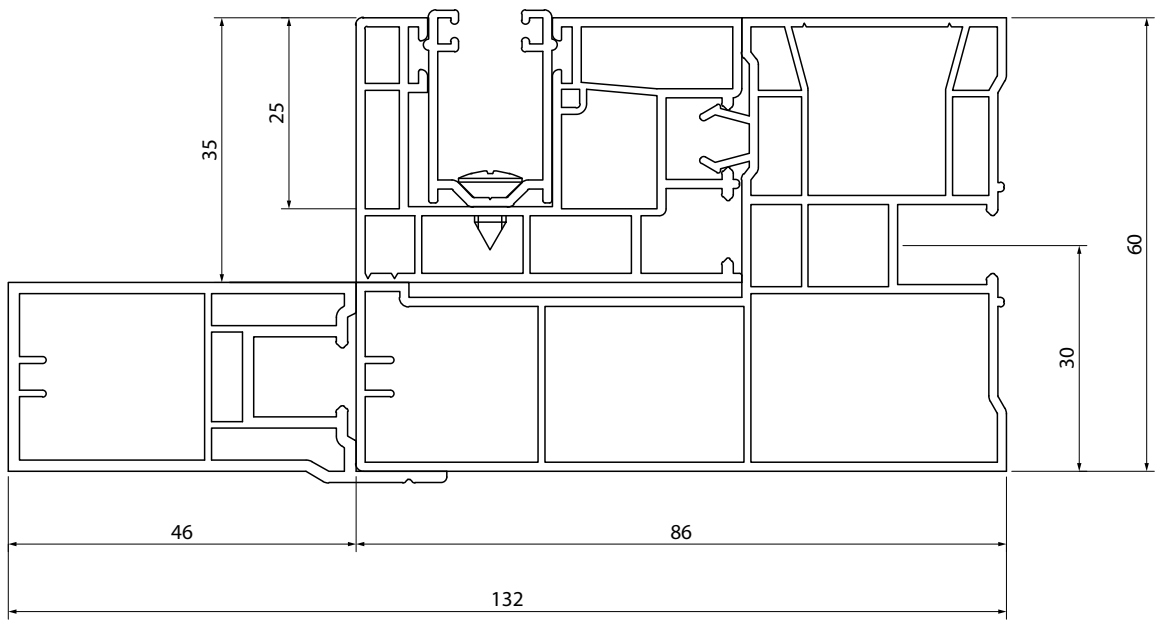


PG 12

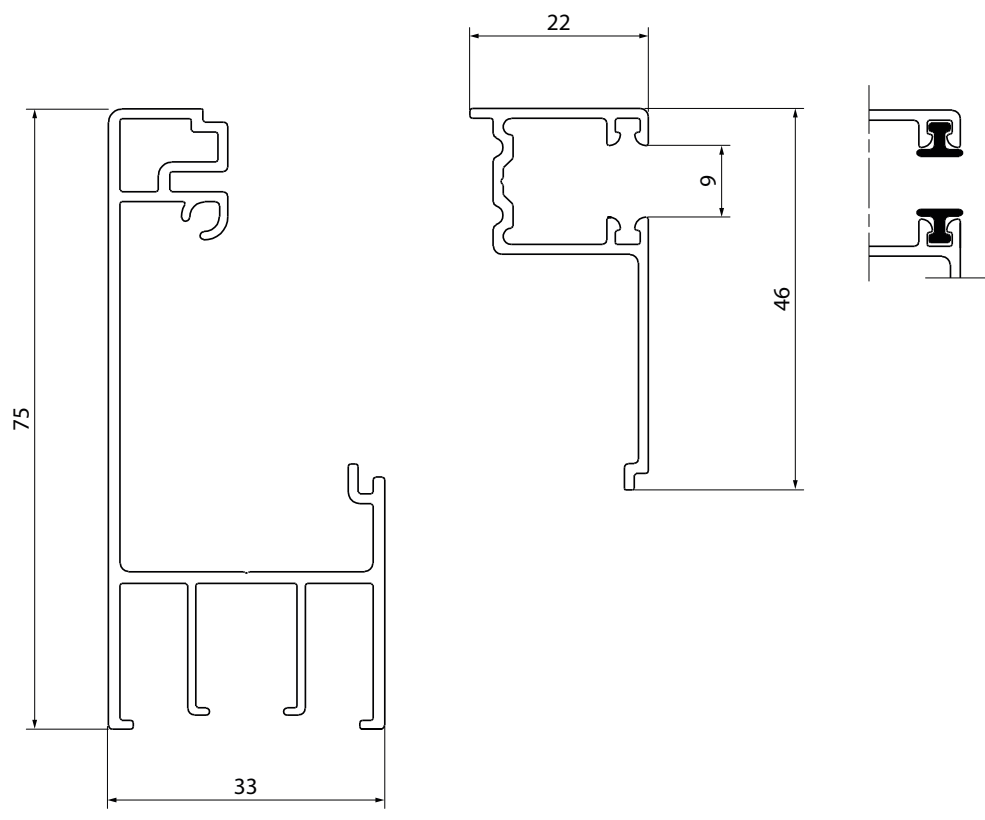
- Clever Box



APPF - PPF
• SKEF



5080 - 5081
• Elite XT



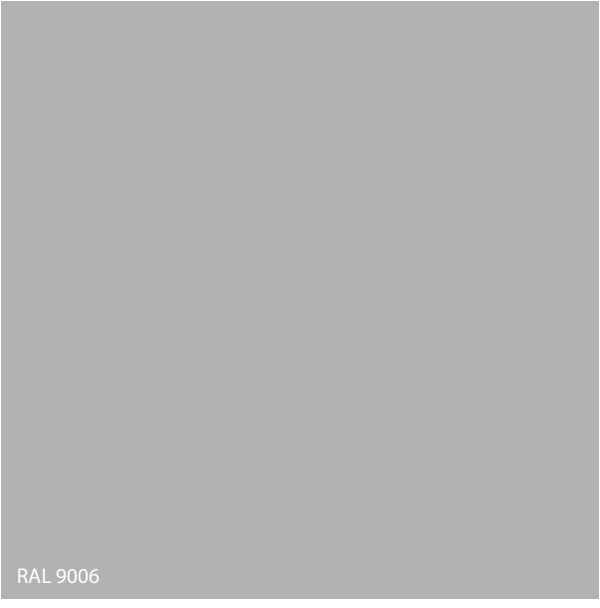
APPF-B_33
• SKB

PPF
• SKB

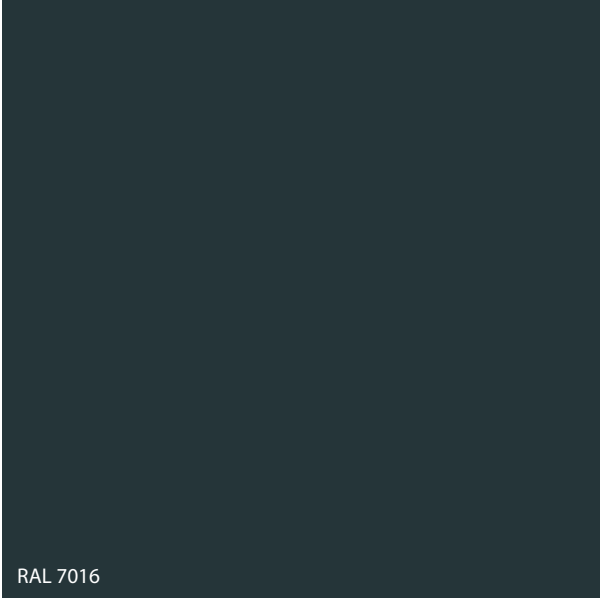
LAMELLAE COLOURS



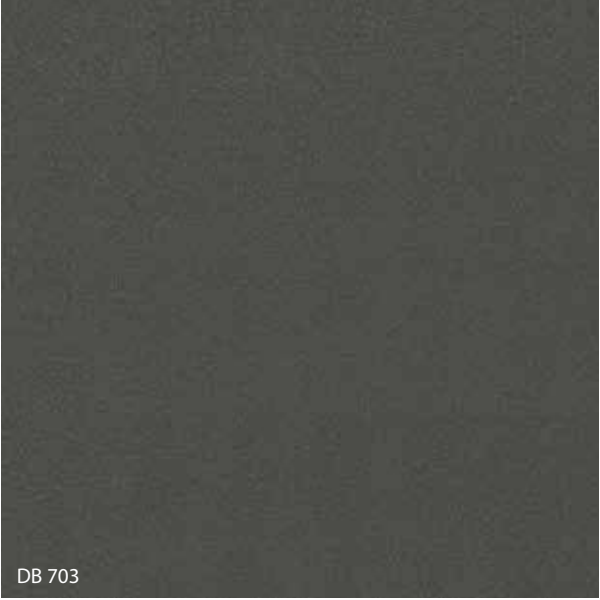
RAL 9016



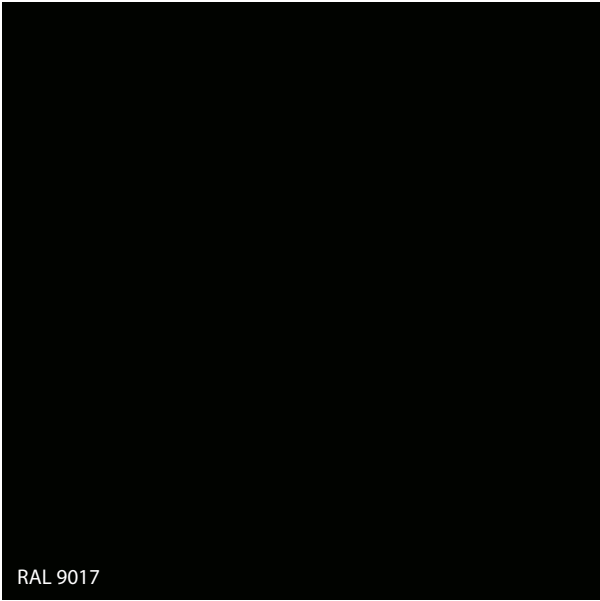
RAL 9006



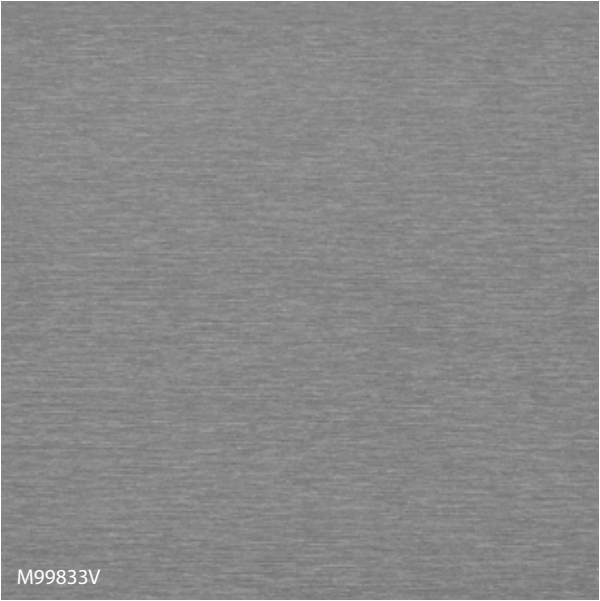
RAL 7016



DB 703



RAL 9017



M99833V

